

SONY

Hi-Fi Products
Service Bulletin

Sony Service Company Technical Services
A Division of Sony Corporation of America
Sony Drive Park Ridge, New Jersey 07656

Model: D-180

No. 122

Subject: The Upper Lid Cannot Be Locked

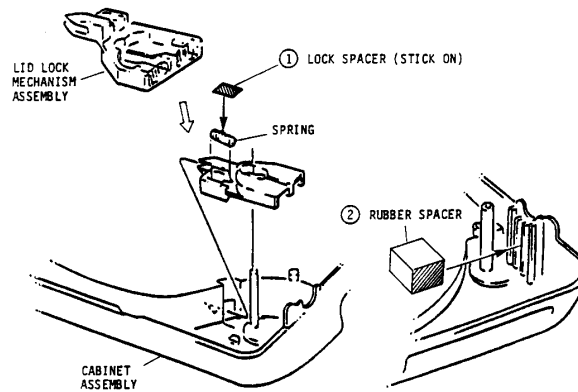
Date: April 26, 1990

Symptom:
(162)

The spring for the upper lid lock mechanism shifts, and does not allow the upper lid to catch.

Solution: Add the two spacers shown below:

Ref. No.	Description	Part Number
①	Spacer, Lock	4-916-290-01
②	Spacer, Rubber	3-322-044-01



Reference: T/N AU90009

PRINTED IN U.S.A.
CSA-13490-5

CSA-13 Portable Compact Disc